

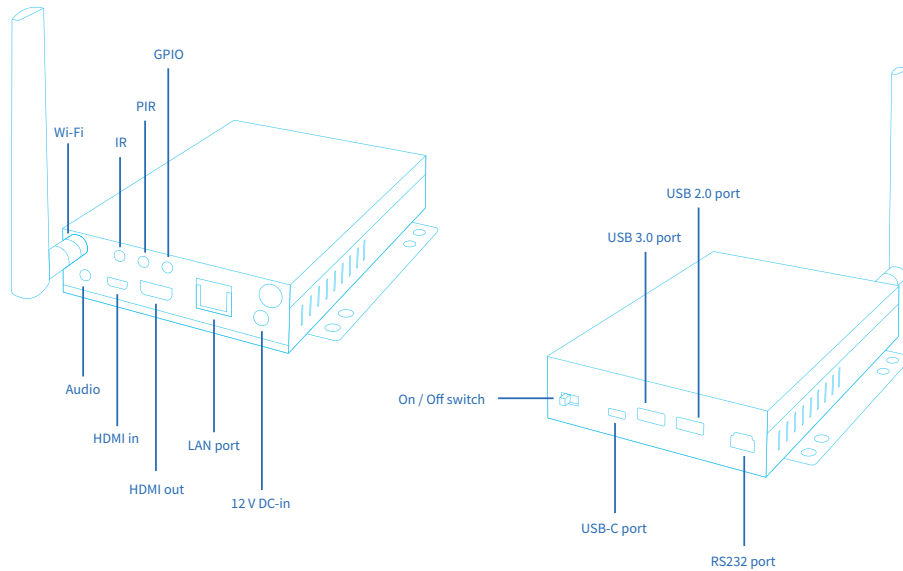
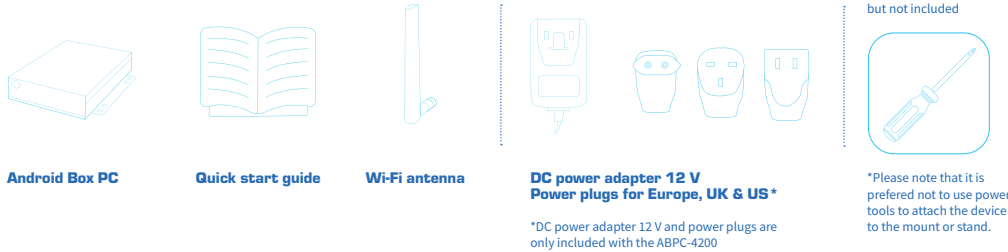
# Quick start guide

ABPC-4200 | 4220



# ABPC - 4200 | 4220 Quick start guide

## This package contains:

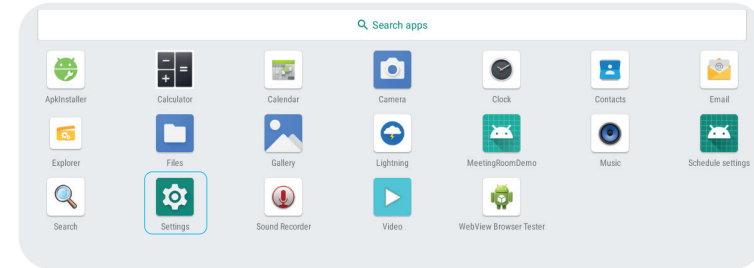


## How to start:

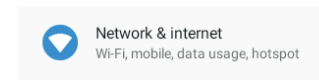
- Step 1: Take contents out of the box, make sure all components are present.
- Step 2: Connect the Box PC to a screen or display. Optionally, mount using the VESA screwing holes or a VESA mount.
- Step 3: Connect to power supply via DC power adapter (or PoE+ for the ABPC-4220).
- Step 4: Connect to Wi-Fi if your product does not have PoE+.
- Step 5: Install and configure customer application on connected screen or display.

## Quick connection settings

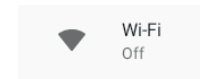
Step 1: Connect the Box PC to a screen/display, plug in power supply (or PoE+ cable, if using the ABPC-4220), and turn on the Box PC and screen/display. If you are using PoE+ for both power and data, continue to step 5. If you are using Wi-Fi, swipe up in the home menu of the screen or display to arrive in the app drawer. Once there, select Settings.



Step 2: In the settings menu, go to Network & internet, located at the top of the menu.



Step 3: In the Network & internet menu, and select Wi-Fi.



Step 4: Turn on Wi-Fi and select desired Wi-Fi network, and fill in credentials to connect to internet.

Step 5: Install and configure your desired applications.

### Caution:

Please note this product contains a small clock battery. Please return the product to a certified repair centre for proper replacement of the battery; battery disposal can be dangerous.

### WARNING:

Changes or modifications to this unit not expressly approved by the party responsible for compliance could void the user's authority to operate the equipment.

### NOTE:

This equipment has been tested and found to comply with the limits for a Class A digital device, pursuant to Part 15 of the FCC Rules. These limits are designed to provide reasonable protection against harmful interference when the equipment is operated in a commercial environment. This equipment generates, uses, and can radiate radio frequency energy and, if not installed and used in accordance with the instruction manual, may cause harmful interference to radio communications. Operation of this equipment in a residential area can cause harmful interference, in which case the user will be required to correct the interference at their own expense.

This device complies with Part 15 of the FCC Rules. Operation is subject to the following two conditions: (1) This device may not cause harmful interference, and (2) this device must accept any interference received, including interference that may cause undesired operation

### Europe/UK - EU/UK Declaration of Conformity

This device complies with the essential requirements of the Radio Equipment Directive (2014/53/EU). The following test methods have been applied in order to prove presumption of conformity with the essential requirements of the Radio Equipment Directive. This equipment is compliant with Class A of EN 55032. In a residential environment, this equipment may cause radio interference.

### Correct Disposal of this product.

This marking indicates that this product should not be disposed of with other (household) waste. To prevent possible harm to the environment or human health from uncontrolled waste disposal, recycle it responsibly to promote the sustainable reuse of material resources. To return your used device, please use the return and collection systems or contact the reseller where the product was purchased. They can take this product for environmentally safe recycling.

"FCC & CE RF Radiation Exposure Statement Caution: To maintain compliance with the FCC & CE's RF exposure guidelines, the product must be placed at least 20 cm from nearby persons."

The recommended temperature for the ProDVX Box PC and accessories is 0°C-45°C.